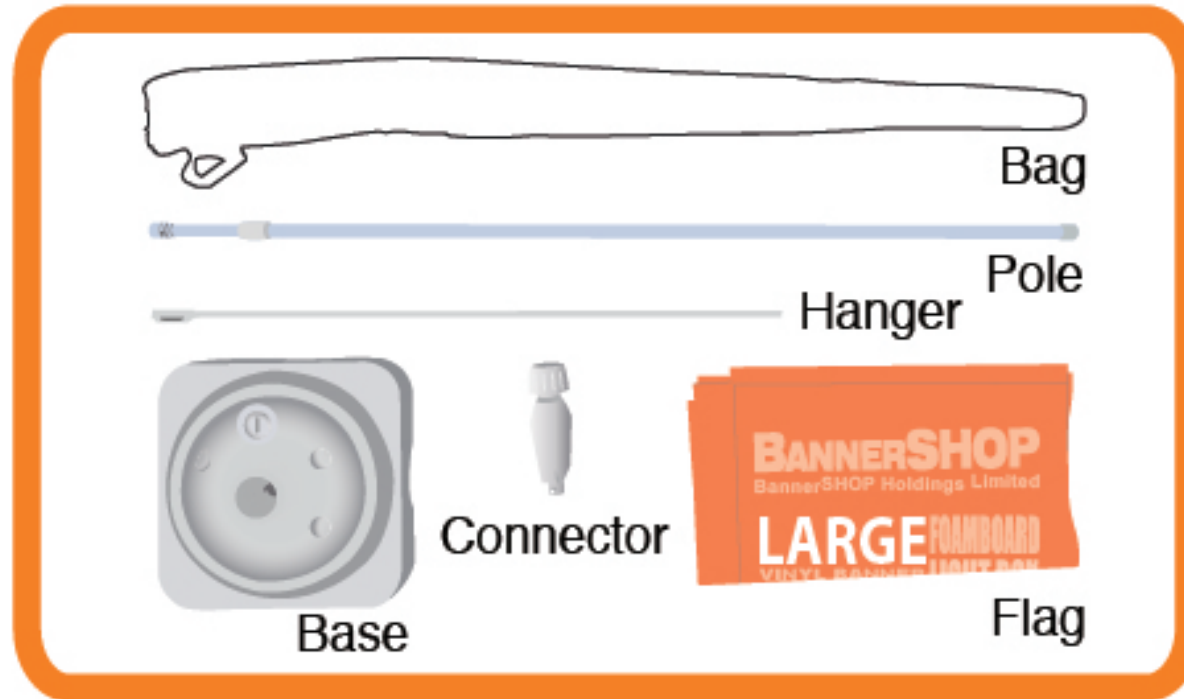
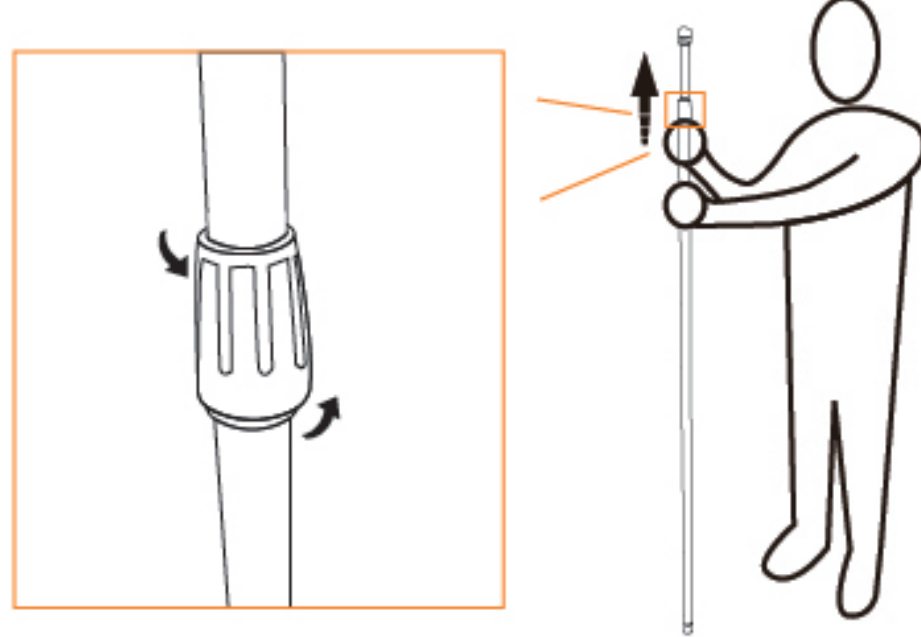


BANNERSHOP.com.au
 Easy, convenient, value for money
 Installation instruction of Fabric Flags



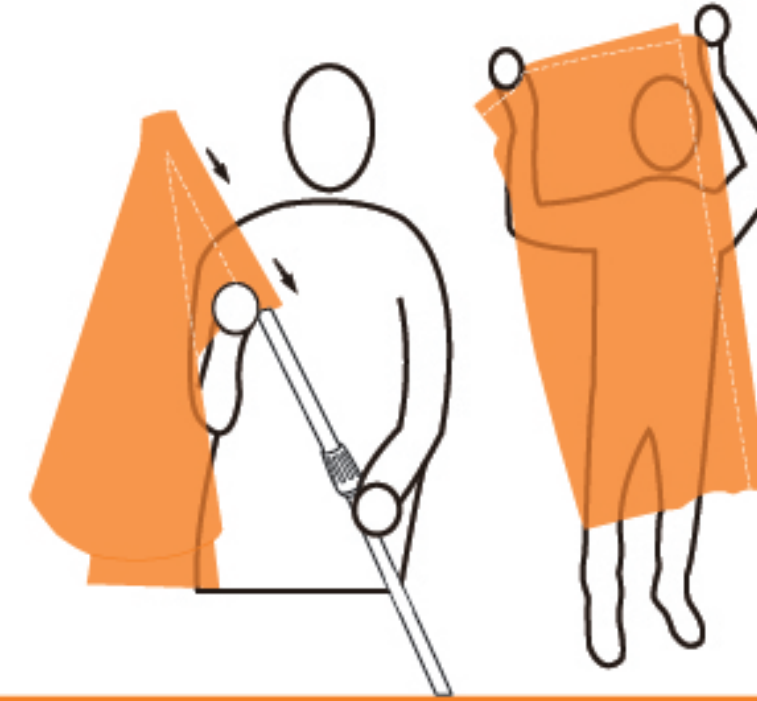
Step 1.

Take the pole from the bag and adjust to suitable height with the locking collar on the pole.
 (Anti-clockwise to release, clockwise to tighten up)



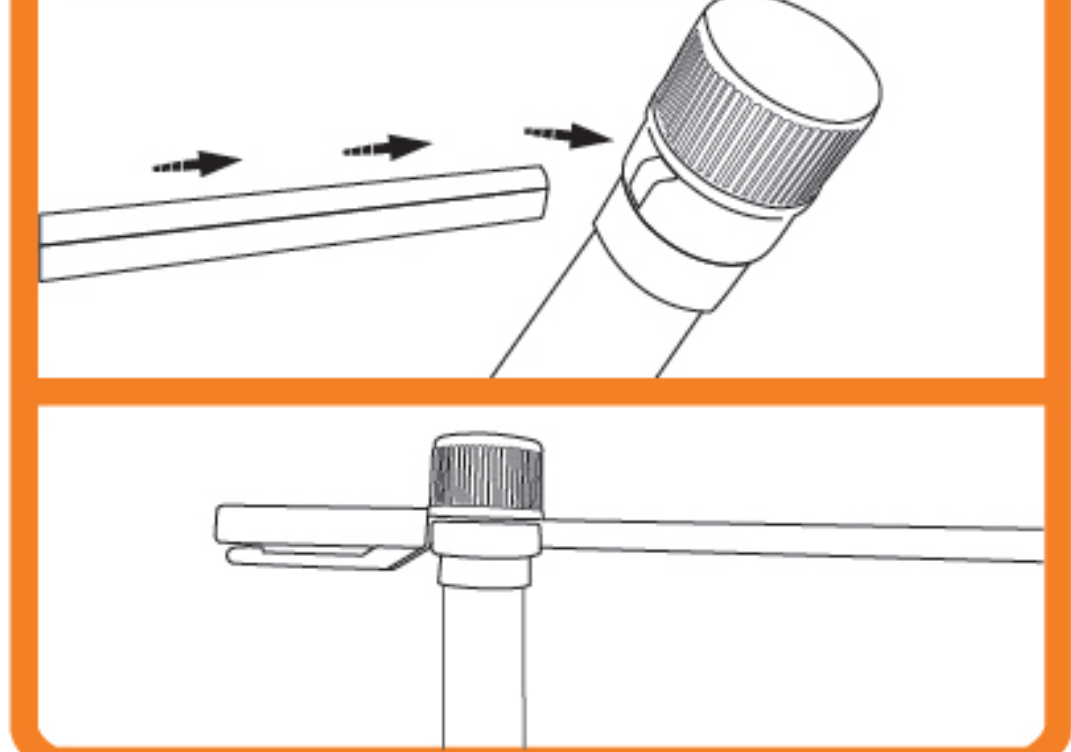
Step 2.

Slip the flag onto the pole.



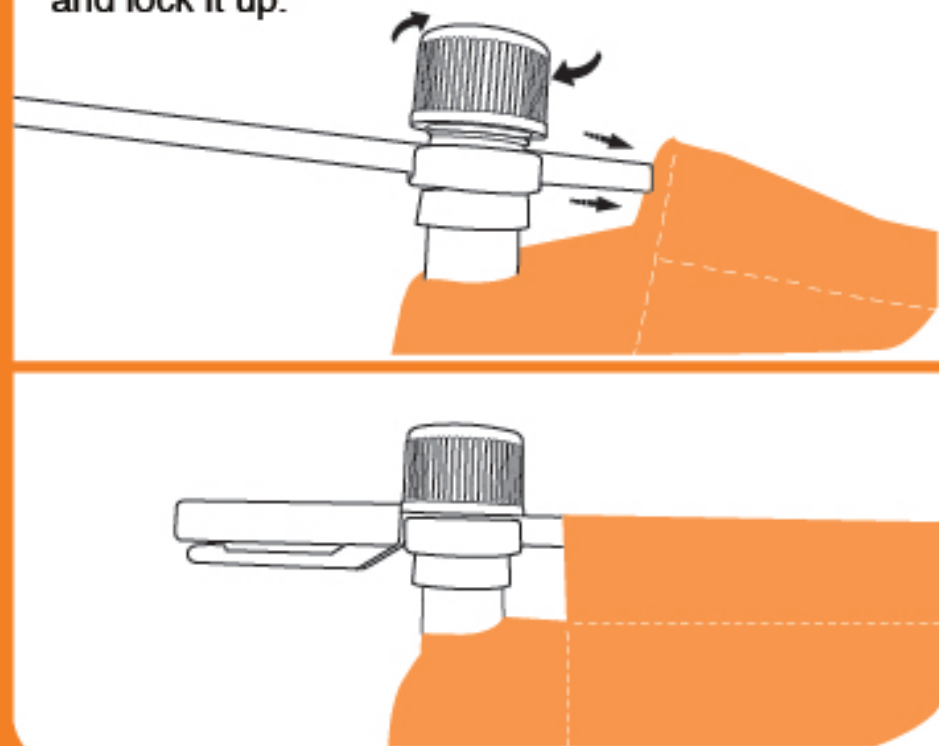
Step 3.

Insert the hanger to top part of the pole.



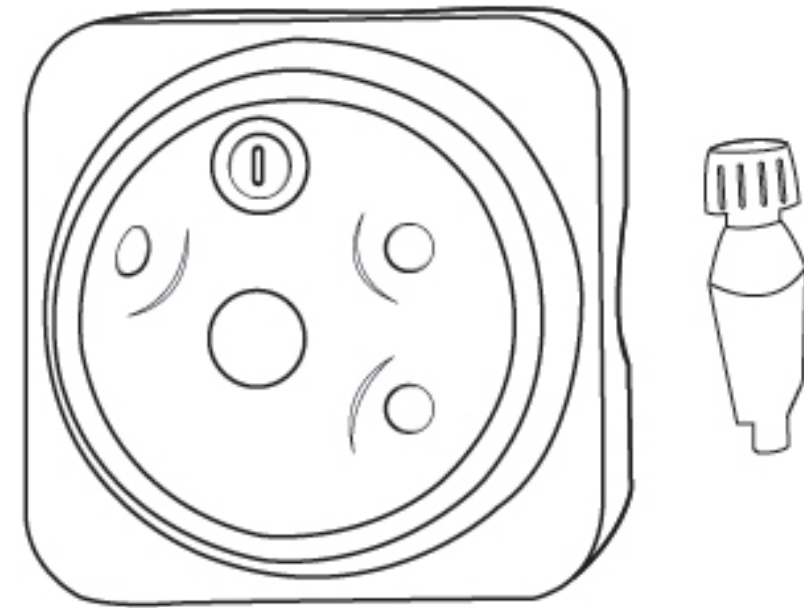
Step 4.

Completely insert the hanger into the flag's top pocket and lock it up.



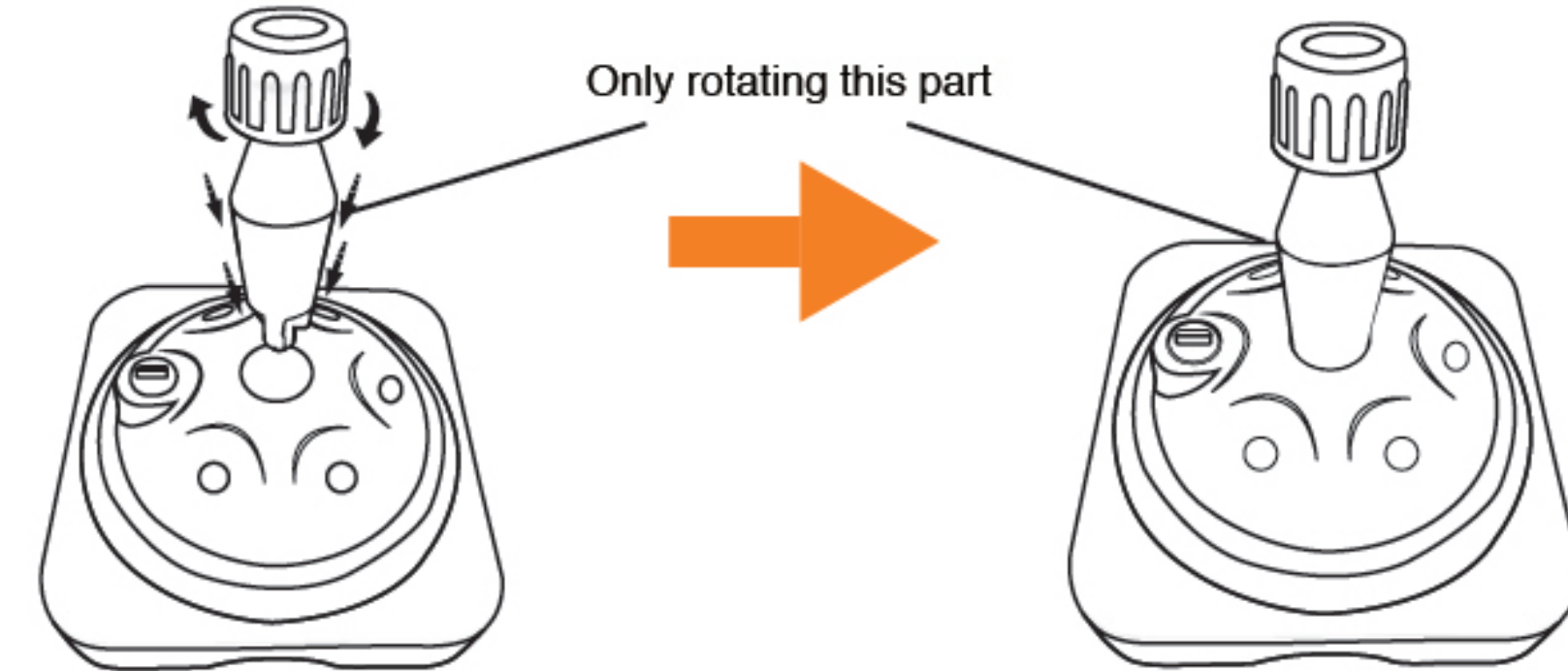
Step 5.

Take out the base and the connector.



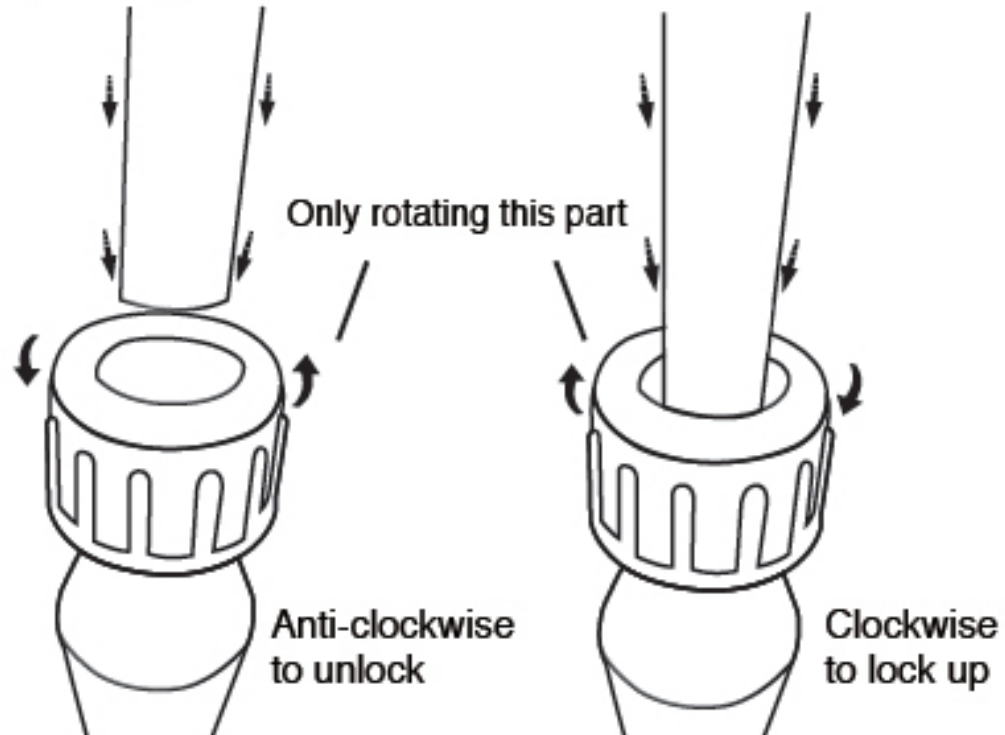
Step 6.

Insert the connector to the base and tighten up by rotating in clockwise direction.



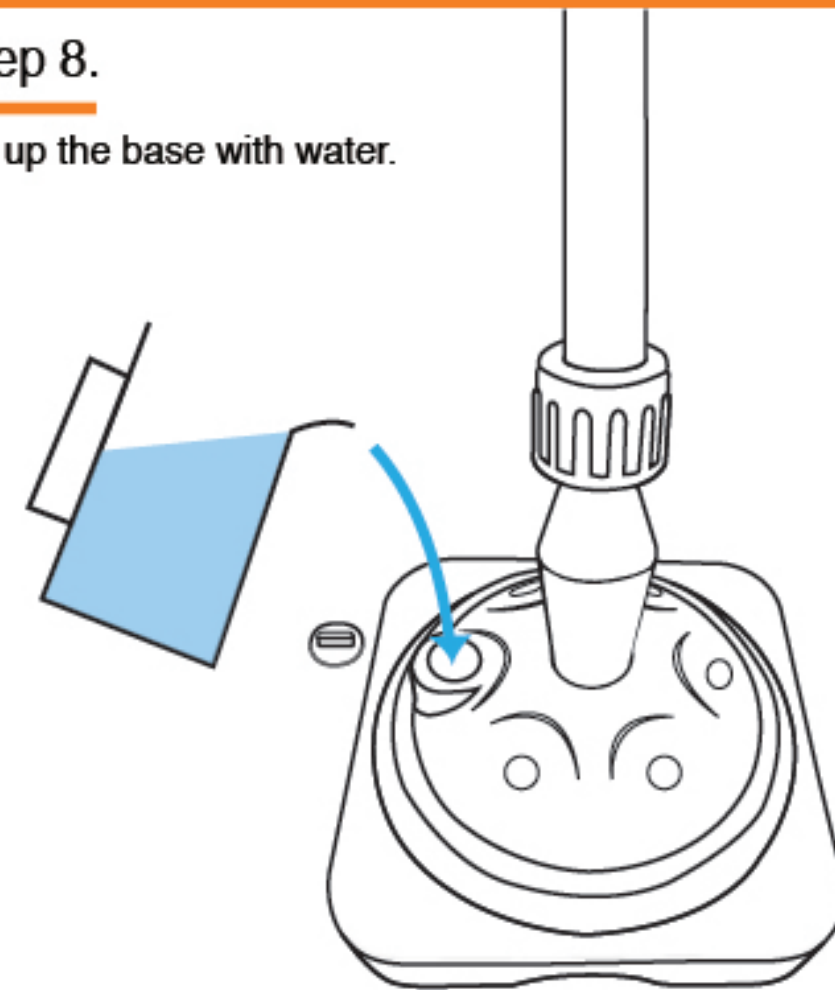
Step 7.

Release the locking collar of the connector by rotating in anti-clockwise direction then insert the pole and tighten up by rotating in clockwise direction.



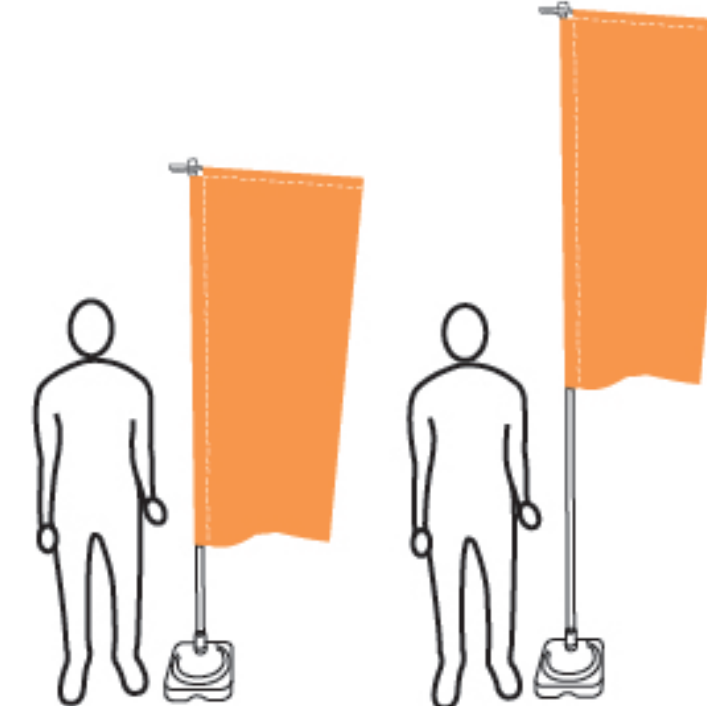
Step 8.

Fill up the base with water.



Step 9.

Re-adjust to suitable height by rotating the locking collar on the pole.
 (Anti-clockwise to release, clockwise to tighten up)



Step 10.

Complete

